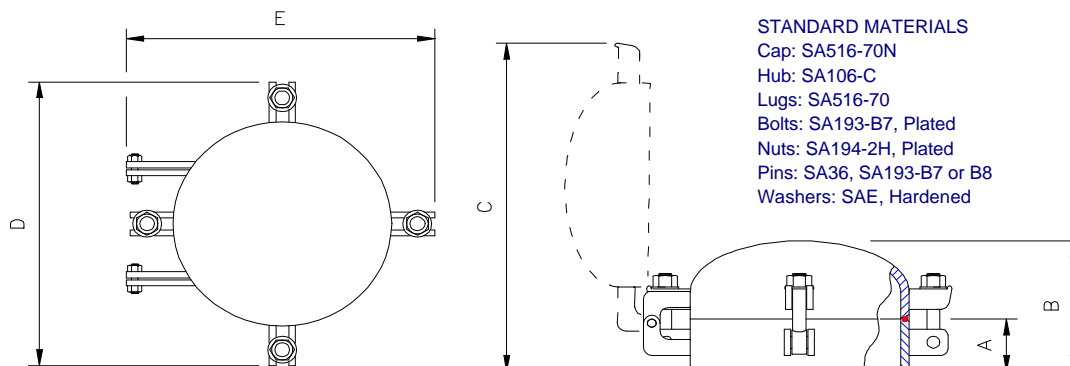


Apollo Q5 Series Quick Opening Closures

| General Information | | | | | | | | | |
|---------------------|---------------------|--------------|-----------------------|---------------------|--------------|-----------------------|---------------------|--------------|-----------------------|
| Size | T-100 Series | | | T-200 Series | | | T-300 Series | | |
| | No. & Size of Bolts | Weight (lbs) | Cap Lift Weight (lbs) | No. & Size of Bolts | Weight (lbs) | Cap Lift Weight (lbs) | No. & Size of Bolts | Weight (lbs) | Cap Lift Weight (lbs) |
| 8 | 8 ^{5/8} | | | 3 — 5/8 | | | 4 — 5/8 | | |
| 10 | 3 — 5/8 | 54 | 20 | 4 — 5/8 | 58 | 21 | 5 — 3/4 | 62 | 22 |
| 12 | 3 — 5/8 | 68 | 26 | 4 — 3/4 | 72 | 28 | 6 — 3/4 | 80 | 30 |
| 14 | 3 — 5/8 | 77 | 31 | 5 — 3/4 | 85 | 33 | 8 — 3/4 | 97 | 37 |
| 16 | 4 — 5/8 | 96 | 40 | 6 — 3/4 | 104 | 42 | 4 — 3/4 | 116 | 46 |
| 18 | 4 — 3/4 | 115 | 49 | 6 — 7/8 | 123 | 52 | 9 — 7/8 | 135 | 55 |
| 20 | 4 — 3/4 | 138 | 61 | 7 — 7/8 | 150 | 65 | 9 — 1 | 158 | 67 |
| 24 | 5 — 7/8 | 179 | 81 | 8 — 1 | 191 | 85 | 12 — 1 | 207 | 89 |
| 30 | 8 — 7/8 | 257 | 119 | 9 — 1 1/4 | 326 | 160 | 12 — 1 1/4 | 340 | 164 |

| Dimensions | | | | | | | | | |
|------------|-------------------|-------------------|-------------------|-------------------|------------------|-------------------|-------------------|-------------------|-------------------|
| Size | OD (inches) | ID (inches) | | | A (inches) | B (inches) | C (inches) | D (inches) | E (inches) |
| | | T-100 | T-200 | T-300 | | | | | |
| 8 | 8 ^{5/8} | 7 ^{5/8} | 7 ^{5/8} | 7 ^{5/8} | 3 ^{1/4} | 5 ^{5/8} | 15 ^{1/2} | 13 ^{1/8} | 13 ^{1/2} |
| 10 | 10 ^{3/4} | 9 ^{3/4} | 9 ^{3/4} | 9 ^{3/4} | 3 ^{1/4} | 6 ^{1/8} | 17 ^{1/2} | 14 ^{1/4} | 14 ^{5/8} |
| 12 | 12 ^{3/4} | 11 ^{3/4} | 11 ^{3/4} | 11 ^{3/4} | 3 ^{1/4} | 6 ^{5/8} | 18 ^{3/4} | 17 ^{1/4} | 17 ^{5/8} |
| 14 | 14 | 13 | 13 | 13 | 3 ^{1/4} | 7 | 20 ^{3/4} | 18 ^{1/2} | 18 ^{5/8} |
| 16 | 16 | 15 | 15 | 15 | 3 ^{1/4} | 7 ^{1/2} | 22 ^{3/4} | 20 ^{1/2} | 20 ^{5/8} |
| 18 | 18 | 17 | 17 | 17 | 3 ^{1/4} | 8 | 24 ^{3/4} | 22 ^{1/2} | 22 ^{5/8} |
| 20 | 20 | 19 | 19 | 19 | 4 | 9 ^{1/4} | 26 ^{3/4} | 24 ^{1/2} | 24 ^{5/8} |
| 24 | 24 | 23 | 23 | 23 | 4 | 9 ^{3/4} | 30 ^{3/4} | 28 ^{1/2} | 18 ^{5/8} |
| 30 | 29 | 29 | 28 ^{3/4} | 28 ^{3/4} | 4 | 11 ^{1/4} | 34 ^{3/4} | 34 ^{1/2} | 34 ^{5/8} |



STANDARD MATERIALS
 Cap: SA516-70N
 Hub: SA106-C
 Lugs: SA516-70
 Bolts: SA193-B7, Plated
 Nuts: SA194-2H, Plated
 Pins: SA36, SA193-B7 or B8
 Washers: SAE, Hardened

Dimensions

Dimensions Are For Reference Only -- DO NOT Use For Design Purposes

Apollo Engineering Company

P.O. Box 2050 Broken Arrow, OK 74013
 tel: (918)251-6780 fax: (918)251-6780

Copyright © Apollo Engineering Company, 1998-2004